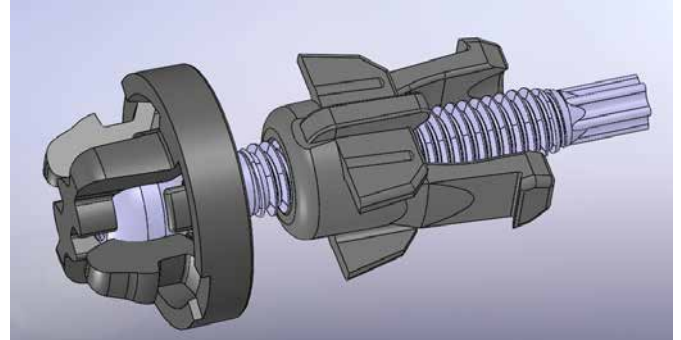
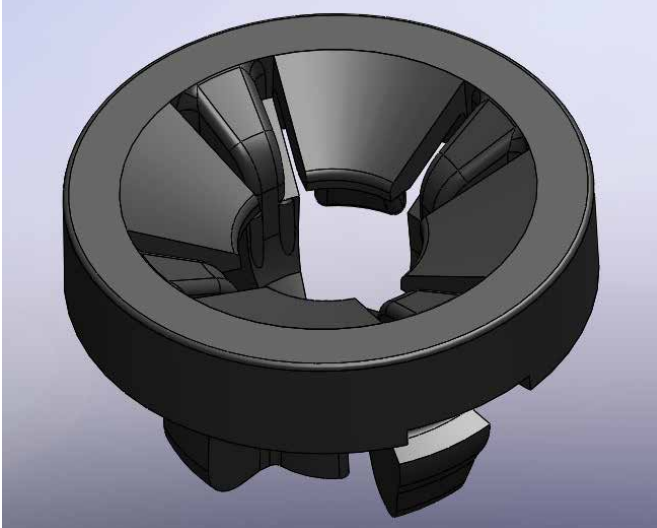


Micro SIBS-HP

Connecting element for MicroAdjuster

Part number 860 3214 790



Features and Benefits:

- Ø 6 mm Snap-In Ball Socket
- Snap-In-Design minimizes assembly time
- Simple mating geometry
- Low assembly force of ballhead into socket (< 100 N)
- High pull-out force of ballhead from socket (> 200 N)
- Material: POM

Contact for North America:

Mr. Paul Sutenbach
Vice President Sales
phone: 1 262-857-5150
e-mail: psutenbach@asysttech.com

Visit us at www.ejot.com or contact us.

For more information please contact Mr. Torsten Fischer, phone: +49 2751 529-530, e-mail: torsten.fischer@ejot.de